



**Borroughs**  
CORPORATION

## Record Master®



### Exceptional Shelving

- ◆ Open Shelf Filing
- ◆ Heavy-Duty Shelving
- ◆ X-Ray Filing
- ◆ Library Shelving

# Record Master®

An Exceptional Shelving Solution!



## Attractive

Business people today want information at their fingertips. That means filing and storage systems are moving out of the back room and into the front office. Record Master provides a front office design that can match the color and finish quality of existing furniture systems.

## Improved Productivity

Filing and storage systems must help people be more productive, not slow them down. Open shelf units allow items to be clearly visible and easily referenced for quick access; open shelves can be used by more than one person at a time; and retrieval time is greatly reduced by eliminating the need to open and close drawers.

## Smart Space

Record Master Shelving uses vertical space that other filing and storage equipment often ignores. With up to 9-tier high units available, Record Master creates more filing and storage area per square foot, yet keeps items within easy reach. It makes smart use of your space and improves efficiency at the same time.

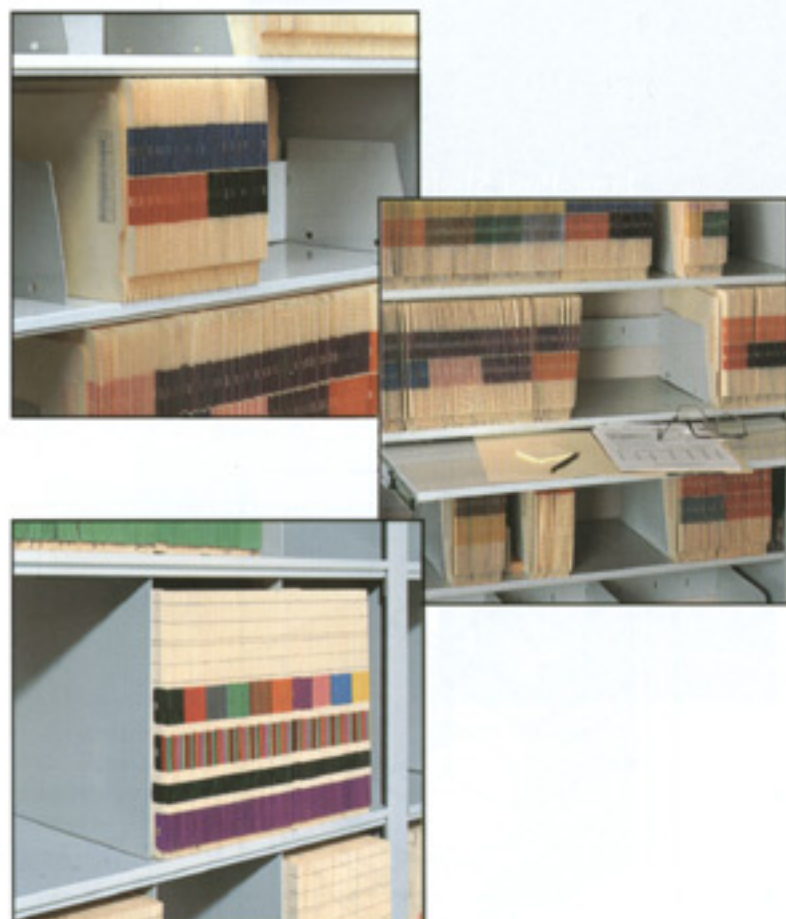


## Practical

Record Master Shelving combines function and strength with easy assembly. It's double-entry design reduces material costs and saves on installation. Strong, rigid four-post construction and full-width shelf supports produce exceptional shelving strength. Field proven in thousands of installations, Record Master carries even the heaviest of loads safely...And, without nuts, bolts or braces, Record Master assembly is quick and easy.

## Flexible Storage

Record Master Shelving can be used for a wide variety of storage applications. There are eight upright and seven shelf styles to choose from, so you can always find a unit that will fit your needs perfectly. From end tab file folders and X-rays, to books and boxes, and everything in between, Borroughs has your storage solution.

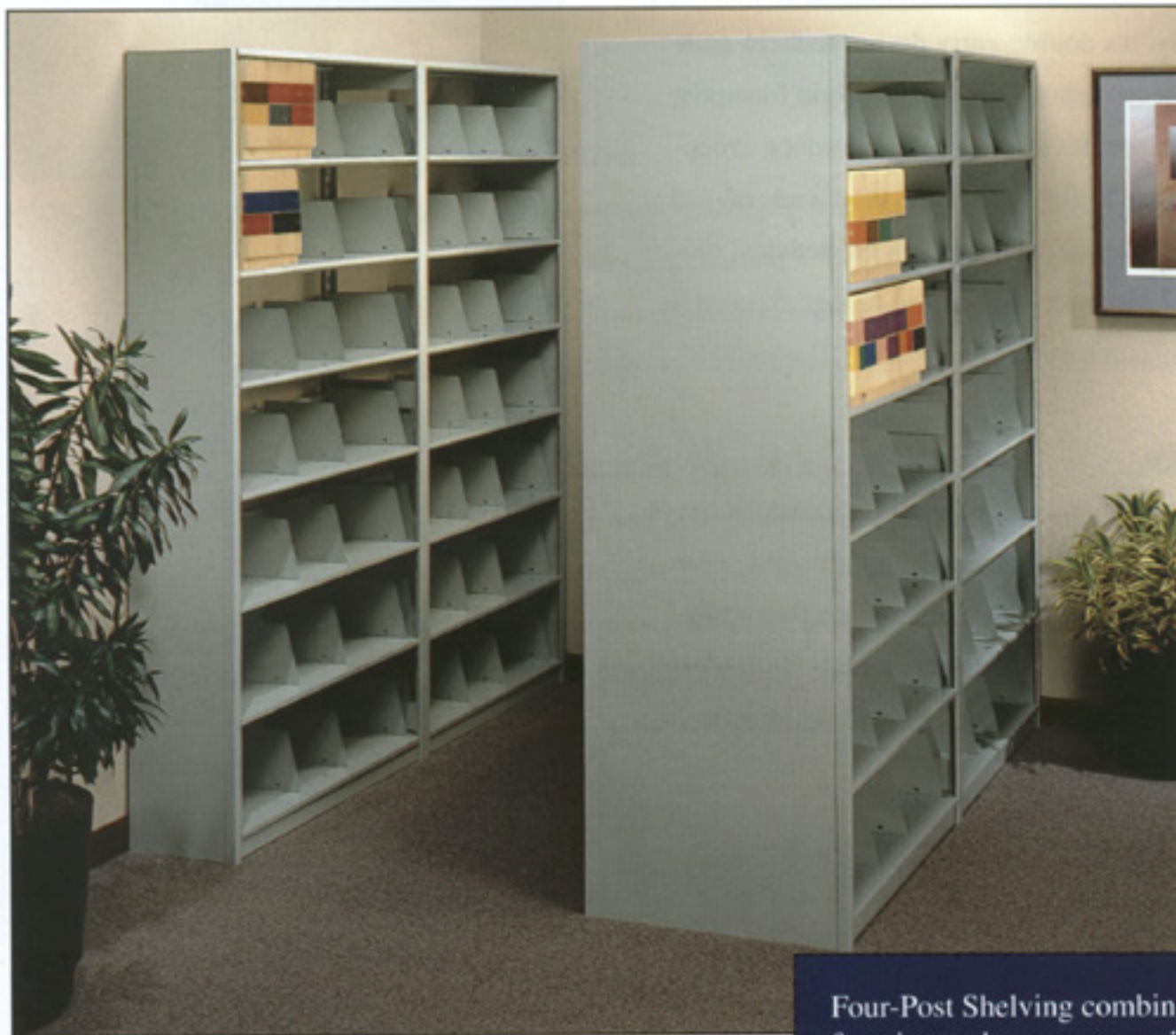


## You Can Count on Borroughs

Over the past 50 years, we've earned a reputation for outstanding service and on-time delivery. Borroughs' people are experts in filing and storage. They can make your filing and storage systems more efficient today and tomorrow.

You can count on the combination of Borroughs' people and products to create the perfect filing and storage solutions for your needs.

# Four-Post Shelving



Four-Post Shelving combines strength, function and appearance with simple assembly. Make it your first choice for filing and document storage.

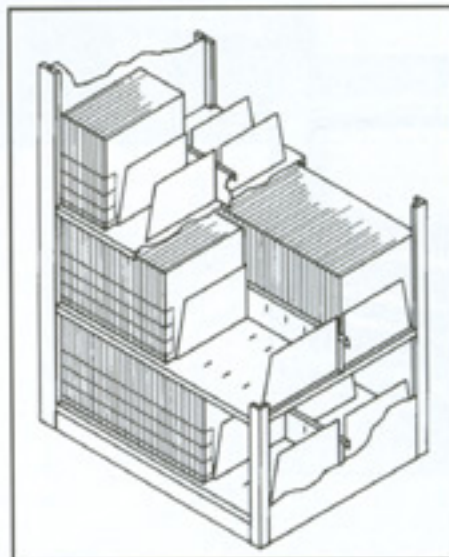
Businesses today need to economically retain and protect their file collections. Doing so in limited space, with accessibility for day-to-day use, requires specialized filing equipment.

Attractive, easy-to-assemble, space efficient Four-Post Shelving has been specifically designed for this purpose.

Open shelf filing allows folders to be clearly visible and provide easy retrieval. Units utilize vertical space to maximize file storage per square foot, while keeping files within easy reach.

And Borroughs' quality construction and superior finish ensures an installation as attractive as it is efficient.

The advantages of open shelf filing, combined with Borroughs' superior design, make Four-Post Shelving the first choice for document filing and storage.



## Double Entry Shelves

Double entry shelves reduce cost and maximize overall filing capacity.

# Four-Post Shelving

Why Borroughs? Our Four-Post Shelving is an ideal combination of superior strength, function and appearance.



### Wedge-Locking Double Rivet with Visual Index Keyholes

Exceptional strength and rigidity without sway braces or nuts and bolts. Components interlock for quick and easy assembly.

### Low Profile Shelf

3/4" profile allows optimum shelf centers for maximum filing capacity.

- ◆ No externally exposed holes - clean, contemporary appearance.
- ◆ No sway braces - quick, simple assembly and double-entry access.
- ◆ No exposed hardware - diminishes file damage.
- ◆ Strength and rigidity - wedge-locking, double rivet design.
- ◆ Mobile ready.
- ◆ Furniture quality finish - looks great in any office even after years of heavy use.



### Optional Full-Width Reference Shelf 30", 36", 42" and 48"

Quick and convenient pull-out work surface within file areas.



### Adjustable File Divider

Color-matching file dividers interlock into slotted shelf and backstop, yet can be quickly relocated for flexibility.



### Shelf Supports

Full-width support for increased capacity.



### High-Strength Rivets

Borroughs' high-strength shoulder design rivets carry heavy filing loads safely. Borroughs uses no tab connections.

### Heights:

6-tier	64-1/4"
7-tier	76-1/4"
8-tier	88-1/4"
9-tier	97-1/4"

### Widths:

30", 36", 42" & 48"

### Depths:

Single Face	
Letter	12"
Legal	15"
Double Face	
Letter	24"
Legal	30"

### Letter Size Capacity

2-1/2 lbs. per filing inch

### Legal Size Capacity

3 lbs. per filing inch

# Case-Style Shelving



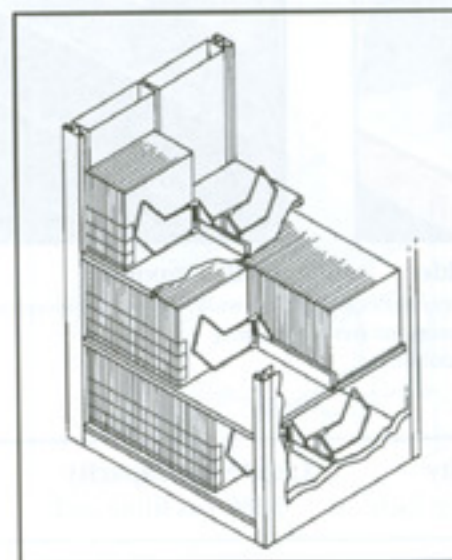
Case-Style Shelving combines aesthetic design and simple assembly. With exceptional strength and single or double-entry design flexibility, this shelving is a must for offices.

Open office areas need the benefit of open shelf filing, along with a high degree of aesthetics.

Case-Style Shelving, with full-height double wall construction, creates a bookcase-like appearance. There are no exposed holes, slots or unfinished edges, giving the unit smooth, clean lines...And, the wide range of available colors enables Case-Style Shelving to blend into any office environment.

The patented sliding divider adjusts easily to any shelf position, while holding files securely in place. Shelves are free of any slots that are normally needed for dividers.

Case-Style Shelving provides the filing efficiency and durability of open shelf filing, as well as an attractive, finished design.



## Double Entry Shelves

Double entry shelves reduce cost and maximize overall filing capacity.

# Case-Style Shelving

Why Borroughs? Our Case-Style Shelving is an ideal combination of superior strength, function and appearance.



**Double-Wall Construction**  
Full-height, welded inner panels create furniture-like appearance and provide superior strength. Also, prevents files from wedging behind the posts.



**Low Profile Shelf**  
Separate low profile shelf and full-width 3/4" supports allow optimum shelf centers for maximum filing capacity and exceptional strength.



**Optional Slotted Shelf and Adjustable File Dividers**  
Case-Style appearance with traditional file divider system. Color-matching file dividers interlock into slotted shelf and backstop, yet can be easily relocated.



**Sliding Wire Divider**  
Patented system adjusts easily to any position along the shelf to hold files securely in place.

- ◆ No externally exposed holes - clean, contemporary appearance.
- ◆ Wedge-locking double rivet design - strength and rigidity without nuts or bolts.
- ◆ No sway braces - quick, simple assembly and double-entry access.
- ◆ No exposed hardware - diminishes file damage.
- ◆ Mobile ready.
- ◆ Furniture quality finish - looks great in any office even after years of heavy use.



**Optional Full-Width Reference Shelf**  
**30", 36", 42" and 48"**  
Quick and convenient pull-out work surface within file areas.

Heights:	
7-tier	76-1/4"
8-tier	88-1/4"
9-tier	97-1/4"

Widths:	
30", 36", 42" & 48"	

Depths:	
Single Face	
Letter	12"
Legal	15"

Double Face	
Letter	24"
Legal	30"

**Letter Size Capacity**  
2-1/2 lbs. per filing inch

**Legal Size Capacity**  
3 lbs. per filing inch

# Heavy-Duty X-Ray Shelving



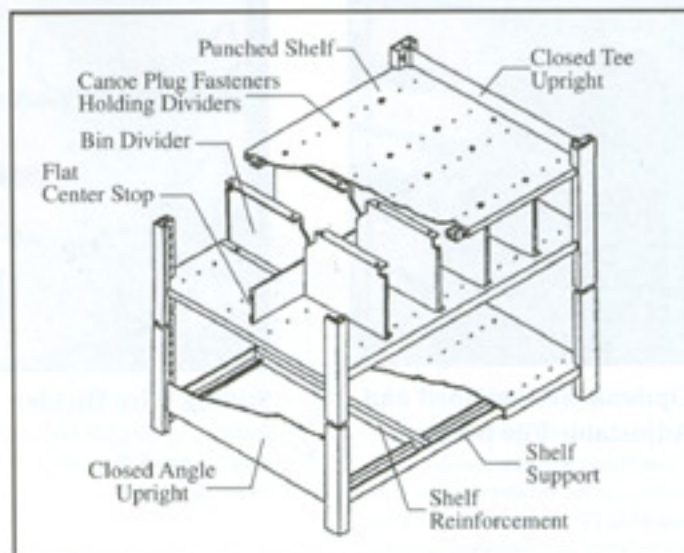
Heavy-Duty X-Ray Shelving is designed expressly for the special filing requirements and unique demands of medical professionals.

The high cost of space in today's healthcare facilities puts a premium on efficient storage; and storing X-ray folders requires shelving that is strong and durable, as well as easily accessible.

Borroughs Heavy-Duty X-Ray Shelf Filing Units have been specifically engineered to combine strength and accessibility with compact design, for efficient use of available space.

To hold the weight of X-rays, Borroughs uses extra heavy gauge steel in manufacturing the shelves, shelf supports and reinforcements. Open shelf filing allow folders to be clearly visible for quick and easy retrieval. Units have five tiers of filing for maximum file storage per square foot, while keeping files within easy reach.

Heavy-Duty X-Ray Shelving combines the strength and efficiency needed to meet the special filing requirements of X-ray medical records.





# Heavy-Duty X-Ray Shelving

Medical professionals demand an X-ray storage solution that reduces cost and raises productivity. Record Master shelving is that solution. Designed expressly for the special filing requirements of X-rays, Heavy-Duty X-Ray Shelving economically retains and protects these valuable medical records...and allows quick and easy access.

- ◆ No externally exposed holes - crisp, clean, contemporary appearance.
- ◆ Wedge-locking double rivet design - strength and rigidity without nuts or bolts.
- ◆ No exposed hardware - diminishes file damage.
- ◆ Easy access to X-rays - no time consuming drawers to open and close.
- ◆ Strength and rigidity - field-proven for mobile or compact applications.
- ◆ Furniture quality finish - looks great in any office even after years of heavy use.



**Full-Height Divider**  
X-rays are heavy. Four point divider attachment accommodates the extra weight of X-ray folders.



**Wedge-Locking Double Rivet with Visual Index Keyholes**  
Exceptional strength and rigidity without sway braces or nuts and bolts. Components interlock for quick and easy assembly.



**Full-Width Shelf Support**  
Heavy-duty 18 gauge steel shelf, with 11 gauge, full-width 1-1/4" thick supports, provides greater strength for X-ray storage requirements.

<b>Heights:</b>	
5-tier	83-3/4"
<b>Widths:</b>	
	36", 42" & 48"
<b>Depths:</b>	
Single Face	18"
Double Face	36"



**Single Rivet Bottom Shelf Support**  
Maximizes X-ray capacity in minimum space. Also allows bottom flange at floor level for mobile tie-in.



**High-Strength Rivets**  
Borroughs' high-strength shoulder design rivets carry heavy filing loads safely. Borroughs uses no tab connections.

<b>X-ray Filing Capacity</b>
15" h x 18" d Jackets
8 lbs. per filing inch

# Heavy-Duty Storage Shelving



Heavy-Duty Storage Shelving, with its rigid construction and full-width shelf supports, will carry even the heaviest of loads safely and securely. Excellent for storage applications.

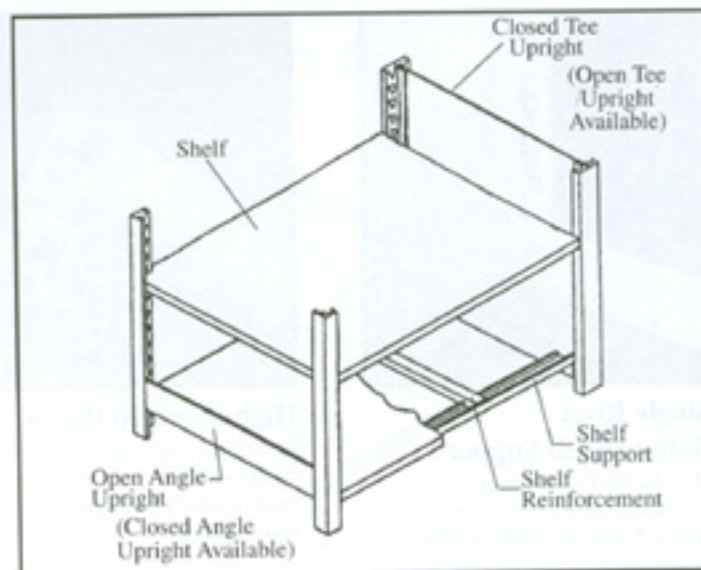
General storage in office environments, as well as healthcare, financial, commercial and institutional applications, requires strong and versatile shelving which is also attractive.

Heavy-Duty Storage Shelving meets these needs with easy-to-assemble units that ideally suit many diverse storage applications.

For maximum storage capacity, Borroughs combines heavy gauge steel shelves, shelf supports and welded uprights with rack-type construction. Smooth, unbroken lines give a finished appearance with no unsightly holes or exposed edges.

Numerous width and depth choices provide many different storage options. Plus, it's easy to install ... no nuts, bolts, clips or complicated sway braces.

Heavy-Duty Storage Shelving is strong and durable, yet looks great in any office environment.



# Heavy-Duty Storage Shelving

Many storage applications require a simple solution. Record Master Heavy-Duty Storage Shelving is the simple choice. It is strong and durable. It is easy to install...and is attractive. Rigid four-post construction will carry even the heaviest of loads safely. Plus, full-width shelf supports provide exceptional strength.

- ◆ No externally exposed holes - crisp, clean, contemporary appearance.
- ◆ Wedge-locking double rivet design - strength and rigidity without nuts or bolts.
- ◆ No sway braces - quick, simple assembly and double-entry access.
- ◆ Strength and rigidity - field-proven for mobile or compact applications.
- ◆ Furniture quality finish - looks great in any office even after years of heavy use.



**Heavy-Duty Shelf**  
18 gauge steel shelf with full-width support for increased capacity.

## Wedge-Locking Double Rivet with Visual Index Keyholes

Exceptional strength and rigidity without sway braces or nuts and bolts. Components interlock for quick and easy assembly.



**Shoulder Rivets**  
Steel rivets with Borroughs' high-strength shoulder design carry heavy loads safely. Borroughs uses no tab connections.

**Heights:**  
76-1/4", 88-1/4"  
& 97-1/4"

**Widths:**  
30", 36", 42" & 48"

**Depths:**  
12", 15", 18", 24",  
30" & 36"

## Shelf Capacities

(in pounds based on uniformly distributed static loads using 18 gauge shelves)

Size of Shelf		With 14 Gauge Shelf Supports			With 11 Gauge Shelf Supports		
		Number of Shelf Reinforcements			Number of Shelf Reinforcements		
Width	Depth	0	2	3	0	2	3
36"	12"	675	-	-	950	-	-
36"	15"	600	625	-	675	1000	-
36"	18"	300	700	-	300	900	-
36"	24"	150	600	-	150	850	-
36"	30"	-	550	-	-	850	-
36"	36"	-	-	525	-	-	525
42"	12"	550	-	-	800	-	-
42"	15"	500	575	-	600	850	-
42"	18"	300	600	-	325	800	-
42"	24"	175	550	-	200	775	-
42"	30"	-	550	-	-	800	-
42"	36"	-	-	525	-	-	550
48"	12"	475	-	-	575	-	-
48"	15"	450	450	-	575	700	-
48"	18"	300	500	-	350	675	-
48"	24"	200	450	-	225	650	-
48"	30"	-	475	-	-	650	-
48"	36"	-	-	475	-	-	650

# Case-Style Library Shelving



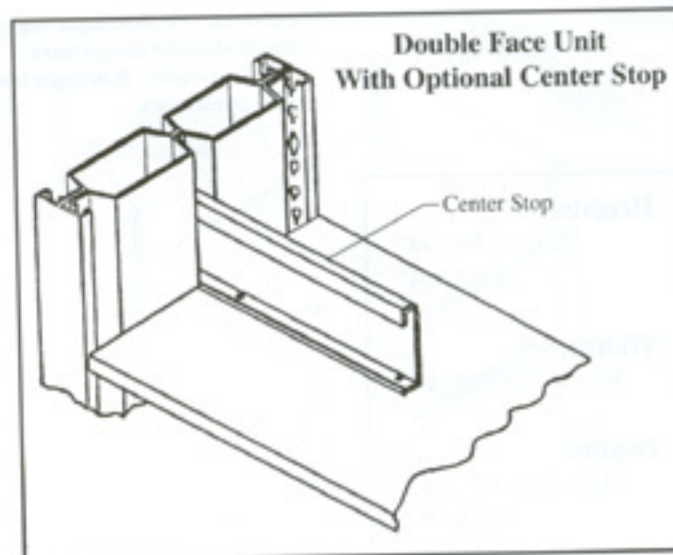
Case-Style Library Shelving blends beauty and multi-functional flexibility. It solves a variety of space problems, is strong and durable and will meet your book storage requirements.

Today, professional libraries demand an exceptional shelving system. It must be strong, yet incorporate a blend of beauty and flexibility. Borroughs Case-Style Library is exceptional shelving.

It starts with a clean, contemporary design that eliminates externally exposed holes and produces a furniture-like appearance. Components interlock without separate fasteners for quick assembly. Plus, with no nuts or bolts, book damage is diminished. It's strong and rigid construction carries even the heaviest of book collections safely.

Case-Style Library's crisp, clean appearance and quality finish blend beautifully with virtually any decor ... And it will continue to look great even after years of heavy use.

Whether for the medical or legal professional, for educator or librarian, for business or industry, Borroughs Case-Style Library Shelving is the exceptional choice.





**Wedge-Locking Double Rivet with Visual Index Keyholes**

Exceptional strength and rigidity without sway braces or nuts and bolts. Components interlock for quick and easy assembly.

- ◆ No externally exposed holes - crisp, clean, contemporary appearance.
- ◆ No exposed hardware - diminishes damage to books being displayed.
- ◆ No sway braces - quick, simple assembly and double-entry access.
- ◆ Strength and rigidity - field-proven for mobile or compact applications.
- ◆ Furniture quality finish - looks great even after years of heavy use.

**Double-Wall Construction**

Full-height, welded panels create furniture-like appearance and provide superior strength. Also, it prevents books from wedging behind the posts.



**Sliding Wire Divider**

Adjusts quickly and easily to any position along a shelf and locks securely in place when holding books.



**Findable Book Support**

Cork underside prevents slipping and a formed edge prevents the support from being lost among books.



**Case-Style Library Shelving**

Designed specifically for medical, law, professional, research or corporate libraries, Borroughs Case-Style Library Shelving is the exceptional choice.



**Optional Full-Width Reference Shelf**  
30", 36", 42" and 48"

Quick and convenient pull-out work surface.



**Hinged Periodical Shelf**

11-3/4" high with a 1-7/8" deep retaining lip makes reading of magazines or other reference material titles easy.

<b>Heights:</b>	40-1/4", 76-1/4"	<b>Depths:</b>	Single Face 9" & 12"
	& 88-1/4"		Double Face 18" & 24"
<b>Widths:</b>			
30", 36", 42" & 48"			

# Record Master® Accessories



## Full-Width Reference Shelf

Creates a quick and convenient pull-out work surface.



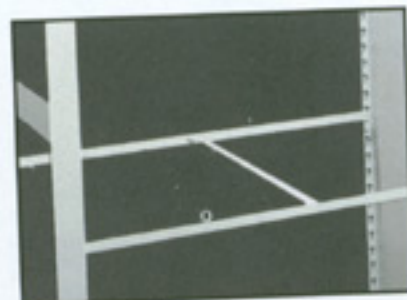
## Plain Shelf

When adjustable file dividers are not required.



## Heavy-Duty Shelf

Provides additional shelf load capacity for non-standard files or specialized items.



## Shelf Reinforcement

Added support for shelves. Available for 3/4" and 1-1/4" high shelf supports.



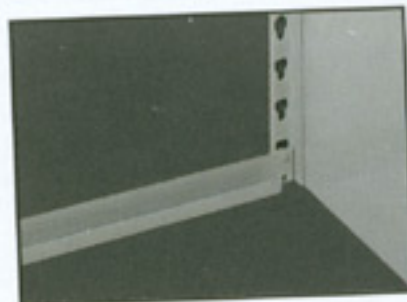
## Hinged Door

Creates lockable cabinet. Easy to add onto new or existing units.



## Front Base

Protects file folders from floor maintenance equipment and produces a finished look.



## Single Rivet Bottom Shelf Support

Allows bottom flange at floor level for mobile face tie-in.



## Center Stop - Unslotted

Divides double-entry shelf. Prevents materials from moving beyond mid-point of shelf.



## Range Finder and Card Holder

3" x 5" painted steel range finder or 3" x 5" zinc plated steel card holder makes identification of row contents easy.



## Decorative End Panels

High-density laminate, wood veneer and fabric panels further enhance aesthetics.



## Back Panel

Provides neat, finished appearance.

# Easy-Trak™ Mobile and Compacting Systems

## Maximize Your Filing and Storage Space

Borroughs' Easy-Trak Lateral Movable Systems are available in two row (+ Systems) or three row (++ Systems) configurations. Easy-Trak Movable Systems save floor space and increase storage capacity.



- ◆ Strong, unibody aluminum carriages provide a carrying capacity of 3,500 lbs.
- ◆ Units roll easily on SAE tested, double bearing case hardened steel wheels.
- ◆ Installs quickly and easily on carpet, tile, wood or concrete floors.
- ◆ Requires no special tools, no complicated alignments or costly platforms.
- ◆ The adjustable track can be leveled at any time, even long after installation and loading.
- ◆ Five pounds of pressure moves 1,300 pounds of load.
- ◆ All systems have standard anti-tip safety mechanisms.
- ◆ Complies with ADA regulations for barrier-free access.

- ◆ Single aisle system compacts storage into high-density configuration.
- ◆ Easy-to-install with anti-drift track.
- ◆ Available in Manual or Mechanical-Assist models.
- ◆ Mechanical-Assist handle has built-in carriage lock mechanism for safety.
- ◆ Five pounds of pressure moves 8,000 pounds of load.
- ◆ Carriages available up to 12' long and can hold virtually any type of Borroughs' shelving or storage units.



Compacting Systems are practical and economical. They can double the capacity in the same floor space or use half the floor space for the same storage.

## Back Room Storage Solution



### Rivet-Span®

- ◆ Low initial investment reduces shelving costs.
- ◆ Steel frame construction extends shelving life.
- ◆ All pieces are universal
  - no left or rights
  - no fronts or back
  - no tops or bottoms.
- ◆ Allows access from any or all four sides.

- ◆ Economical
- ◆ Simple Assembly
- ◆ Strong
- ◆ Flexible

## Rivet-Span

## Ready-To-Assemble



Borroughs' Ready-To-Assemble (RTA) Bookcases will enhance any office environment. These bookcases feature double wall construction, quality and versatility. Available 36" wide, 29", 42", 60", 78" or 84" high and 12", 15" or 18" deep. Starter/adder systems for "side-to-side" installations are designed to create one continuous row of shelving. Many sizes are InStock for immediate shipment!

## RTA Bookcases

## Open Shelf Filing



*Record Master® Open Shelf Filing  
Easy-Trak™ Lateral Movable*

**Today, everyone needs  
better ways of doing business -  
Solutions that reduce cost and raise  
productivity.**

Borroughs filing systems help people be more productive, not slow them down. Files are clearly visible and easily referenced for quick access. Record Master® shelf filing costs less per filing inch than expensive filing cabinets and creates three times more filing inches per square foot...And Easy-Trak™ Lateral Movable do away with cumbersome and costly platforms. They have a built-in anti-tip mechanism and are easy to install and use. Only five pounds of pressure moves 1,300 pounds of load. Borroughs makes smart use of your space and improves filing efficiency at the same time.



3002 N. BURDICK ST. • KALAMAZOO, MI 49004-3483  
800-748-0227 • FAX 616-342-4161 • CANADA 800-968-0162  
Visit Our Web Site At: [www.borroughs.com](http://www.borroughs.com)